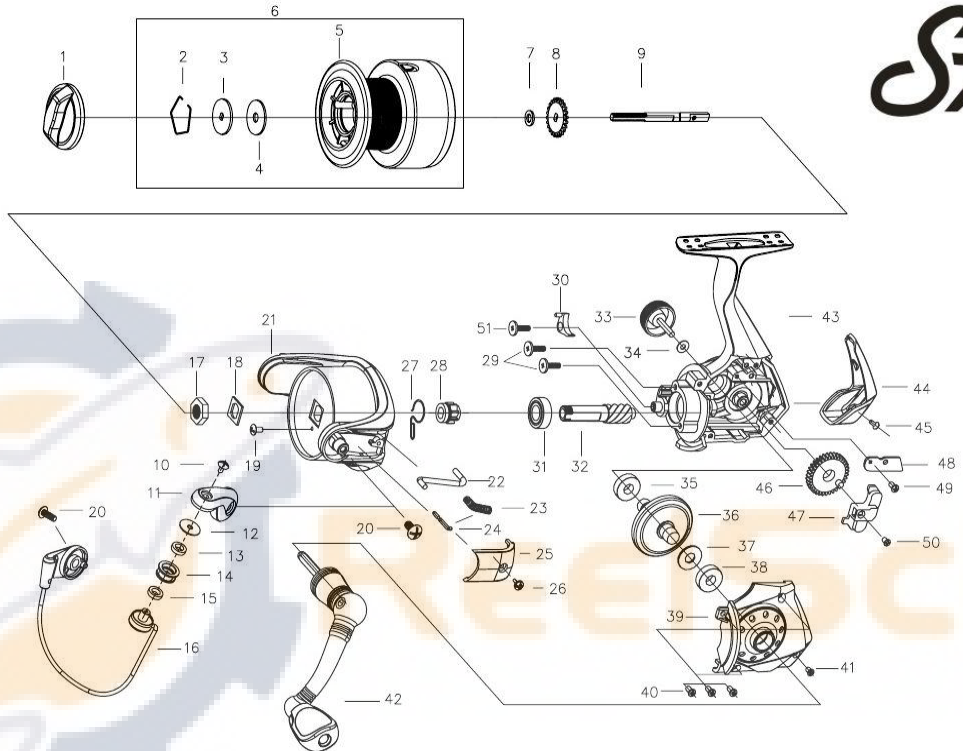


Shakespeare®

BANK STIK

Model BANK STIK25

SKP-SP-BANK STIK25-01



Item	Description	SAP #	Item	Description	SAP #	Item	Description	SAP #	Item	Description	SAP #
1	DRAG KNOB ASSEMBLY	1345998	14	LINE ROLLER	1345968	27	SILENCE SPRING SLEEVE	1345979	40	SCREW	1344630
2	DRAG WASHER RETAINER	1344586	15	LINE ROLLER BUSHING	1362150	28	RATCHET BUSHING	1345980	41	SCREW	1283219
3	KEY WASHER	1339470	16	BAIL ASSEMBLY	1346001	29	SCREW	1345981	42	HANDLE ASSEMBLY	1345991
4	WASHER	1352381	17	NUT	1344603	30	RATCHET LEVER	1363931	43	BODY	1364177
5	SPOOL	1364172	18	WASHER	1352390	31	BALL BEARING	1339495	44	REAR COVER	1364178
6	SPOOL ASSEMBLY	1364173	19	NUT LOCKER SCREW	1339485	32	PINION GEAR	1345983	45	SCREW	1283238
7	CLICK GEAR WASHER	1344601	20	SCREW	1339478	33	HANDLE SCREW CAP	1364176	46	OSCILLATION GEAR	1344626
8	CLICK GEAR	1344602	21	ROTOR	1364174	34	WASHER	1339553	47	SLIDER	1344627
9	MAIN SHAFT	1339477	22	BAIL TRIP LEVER	1352389	35	BUSHING	1345986	48	SLIDER KEEPER	1346741
10	SCREW	1339484	23	SPRING	1352387	36	DRIVE GEAR	1344628	49	SCREW	1344643
11	BAIL ARM	1363932	24	PIVOT ARM	1344616	37	DRIVE GEAR WASHER	1345988	50	SCREW	1339507
12	WASHER	1339482	25	ROTOR COVER	1364175	38	BUSHING	1345986	51	SCREW	1283332
13	LINE ROLLER BUSHING	1362150	26	SCREW	1339494	39	BODY COVER	1345990			